

Trimline Woody Loft 3S

INSTALLATION AND OPERATING INSTRUCTIONS

For other languages, download the manual, open it in Acrobat Reader and choose the desired language with the buttons on the bottom side of this page.

CONTENTS

1	GENERAL	3
1.1	Intended use.....	3
1.2	Flue gas discharge.....	3
1.3	Product standards and guidelines	3
2	FUEL	4
2.1	What fuel can you use and what should you pay attention to?	4
2.2	Loading fuel.....	4
2.3	Inappropriate fuels include.....	4
2.4	Dry wood burns best	4
2.5	White smoke	4
2.6	Combustion air	4
2.7	Ash	4
3	SAFETY.....	5
3.1	Instructions	5
3.2	Installation precautions/safety instructions	5
3.3	Safety instructions for operation	5
3.4	Environmental safety instructions	6
4	INSTALLATION OF THE APPLIANCE	7
4.1	Converting the top connection to a rear connection of the flue gas duct	7
4.2	Installing the appliance	7
4.3	Distance from flammable materials.....	8
5	FLUE GAS DISCHARGE DUCTS	9
5.1	Instructions	9
5.2	Requirements for flue gas exhaust ducts	9
6	OPERATING INSTRUCTIONS	10
7	MAINTENANCE	12
8	TROUBLESHOOTING	13
9	GUARANTEE	14
9.1	The guarantee does not cover parts that are designed to wear	14
9.2	The guarantee will expire in the following cases	14
10	TECHNICAL SPECIFICATIONS AND PARAMETERS.....	15
11	IDENTIFICATION PLATE.....	15
12	INFORMATION ABOUT DISPOSING OF THE APPLIANCE	16
12.1	Reuse.....	16
Appendix 1	DIMENSIONAL DRAWINGS	17
Appendix 2	DOOR CLOSED AND AJAR.....	18
Appendix 3	BAFFLE PLATE AND EFFICIENCY PLATE	19
Appendix 4	REMOVING SIDE PANELS.....	20
Appendix 5	DIMENSIONAL DRAWINGS INTERIOR PLATES	21
Appendix 6	INSTALLATION INFORMATION, SERVICE AND MAINTENANCE LOGBOOK	22
Appendix 7	DECLARATION OF PERFORMANCE.....	23
Appendix 8	ENERGY LABEL	24
Appendix 9	PRODUCT DATA SHEET.....	25

thermoCet International B.V.
Laagerfseweg 27
3931 PC Woudenberg
The Netherlands
www.trimlinefires.com.



Modifications and printing errors are reserved.

thermoCet International BV is not responsible for any (consequential) damage due to incorrect installation.

V091024



1 GENERAL

We hope you enjoy your wood-burning appliance. Read these instructions carefully before installing and using the appliance. Keep these instructions in a safe place. In the event of a problem with your appliance, please always provide the model and serial number, which can be found on the appliance.

Your receipt of purchase is your proof of guarantee.

NOTE

- 1 The appliance must be installed, connected and checked by an installation technician qualified to national, regional, local and European standards and regulations.

The appliance is delivered complete. Check the appliance immediately after delivery to confirm that it has not been damaged during transport. If it has been damaged in any way, please inform your supplier immediately, providing as many details as possible. Your appliance has been coated with heat-resistant enamel that can withstand extremely high temperatures. Allow the appliance to burn at the highest setting and ventilate the room thoroughly during its first hours of use. As the enamel cures, a non-hazardous smell and/or some smoke may be emitted.

1.1 Intended use

This appliance is designed for indoor use to heat the room in which it is installed. It may not be used for any other purpose.

- 1 **Not as primary heating:** The appliance is unsuitable for use as a primary heating source.
- 2 **Fuel:** Use only wood logs or wood briquettes as fuel. Other fuels are not to be used.
- 3 **Use with the door closed:** The appliance must always be used with the door closed.
- 4 **Installation location:** The appliance may only be used in locations that meet the installation requirements.
- 5 **Usage:** The appliance is intended for intermittent use, not for continuous use.
- 6 **Direct heating:** The appliance is designed for direct room heating and must not be connected to a central heating system.

WARNING

- 1 Only use the wood stove to burn recommended fuels. Do not use the wood stove as an incinerator for waste or other unsuitable materials.
- 2 The appliance is designed to operate with the door closed. Burning with the door open is not permitted as this negatively affects combustion performance and can lead to an increased risk of smoke and fire hazard.

NOTE

- 2 Extractor fans can cause problems when operating in the same room or area as the appliance. For example, an extractor hood above a stove. The operation of an extractor fan can disturb the air pressure in the room and can lead to a reduced draught in the chimney or flue gas outlet of the appliance. This can result in incomplete combustion, smoke development and an increased risk of carbon monoxide poisoning. Make sure there is sufficient air supply in the room to prevent these problems.

1.2 Flue gas discharge

Connect the appliance to a suitable individual flue gas duct that is designed for wood-burning appliances. The appliance must not be connected to a shared discharge system. The flue gas duct must be clean and gas-tight. Angles in the flue gas duct must never exceed 45 degrees. A T-piece with soot bag pipe must be used at the rear connection. The diameter of the flue duct must be at least equal to the connection size of the appliance. The draft in the flue must be at least 12 Pa. A flue gas damper must be used in the event of a duct drawing too strongly. Ensure the chimney is cleaned regularly. Follow the instructions of the duct supplier here. In the event of a chimney fire, extinguish the fire in the appliance (e.g. with sand), close the chimney flap if possible, and contact the fire brigade.

1.3 Product standards and guidelines

The Woody Grid wood-burning appliance has been tested in accordance with NEN-EN 13240+A2 and also meets the following requirements:

- DIN + standard
- BimschV stufe 2
- DEFRA
- Eco Design

2 FUEL

2.1 What fuel can you use and what should you pay attention to?

Good fuel is the “engine” of your appliance. Always use high-quality, well-dried wood. This will ensure you get the most benefit from the fire and will prevent unwanted “side effects” such as excessive smoke formation or spattering. What can you use?

- 1 Hard woods such as oak, beech and wood from fruit trees. This wood gives a short flame and burns for a longer period.
- 2 Light woods such as birch, poplar, willow, alder and spruce. These types give a long flame but burn quite quickly.
- 3 Softwood (only in a very well-burning fire in order to avoid deposits in the chimney)
- 4 Dry spruce is often used as kindling because it burns quickly.

2.2 Loading fuel

Load the appliance with the fuel amount specified below. Place the load in a single layer on the floor of the combustion chamber.

NOTE

Do not exceed the amount of fuel specified here. Overloading can lead to excessive smoke formation.

Logs	
Quantity	2 units
Weight	Approximately 0.7 kg each
Length	Approximately 19 cm

The amount mentioned above burns for approximately 45 minutes. This time may vary depending on the draught in the chimney and the position of the combustion air damper.

WARNING

- 1 Wood-burning appliances get hot when in use. After installation of the appliance, the glass surface is considered to be an active zone. The surface of the glass can become very hot. Warning: Caution must be exercised; children and those in need of assistance must be kept away from burning appliances. Appliances shall not be placed on or against non-refractory materials such as curtains. Modification of the appliance is strictly forbidden. Never place the appliance against or in a non-fireproof wall. See Distance from flammable materials.
- 2 Never burn in foggy or windless weather, avoid creating a nuisance in your environment.
- 3 The use of unsuitable fuels will lead to excessive smoke, a blackened glass panel, flammable deposits and may damage the appliance. It is also bad for the environment.

2.3 Inappropriate fuels include

- 1 All fluids.
- 2 Painted wood.
- 3 Impregnated wood.
- 4 MDF, chipboard.
- 5 Any kind of combustible waste.
- 6 Printed (coloured) paper from magazines.
- 7 Paraffin impregnated pressed wooden blocks.
- 8 Wet or fresh wood.
- 9 Coal, anthracite and other bituminous fuels.
- 10 Brown coal, peat.
- 11 Plastics.
- 12 Azobé wood.

2.4 Dry wood burns best

Freshly chopped wood must dry for at least 2 years before use. Oven-dried wood must be allowed to dry for an extra six months. Dried logs must have a moisture content of 10-20%.

2.5 White smoke

Your appliance is working correctly if you can see colourless or white smoke coming out of your chimney flue. Light coloured smoke indicates good fuel with good combustion. Grey, blue or even black smoke is produced by incomplete combustion, and this can be caused by damp wood or a low temperature.

2.6 Combustion air

You probably won't notice it, but a wood-burning appliance uses about 35 cubic metres of air per hour. A sufficient supply of “fresh” air must therefore always be supplied. The external air connection (which is an added extra) can be used to ensure a sufficient fresh air supply. In a few cases, smoke backflow can be caused by something other than poor ventilation. Perhaps the wood you are using creates strong smoke. In this case, the duct may not be able to process the quantity of flue gases. Or maybe you are burning the right wood, but the pipe or flue has an obstruction, or it narrows at some point. If you are unsure about the cause, please contact your dealer immediately.

2.7 Ash

After many hours of enjoying your fire, ash will build up. Leave the ash in the appliance for as long as possible. Only scoop it out when the ash layer starts to block the primary air holes in the front and rear combustion chamber. This should be done with a steel shovel and bucket because the ashes may still be smouldering, even after a few days. Ash from clean, dry wood is a natural product. It is an excellent “soil improver”. Cooled ashes can also be placed in the GFT container.

3 SAFETY

NOTE


- 1 Please read this safety chapter carefully before beginning installation or maintenance.
- 2 Follow the general regulations and the precautions/safety instructions in these installation instructions.

3.1 Instructions

Install the appliance in accordance with applicable European, national, local and building (installation) regulations. The Building Decree, among other things, applies in the Netherlands.

3.2 Installation precautions/safety instructions

Follow the precautions/safety precautions below carefully:

- 1 Only install and maintain the fireplace if you are a qualified installer of wood-burning appliances.
- 2 Only place the fireplace in a room in which the use of the fireplace does not pose a danger to the structural construction and activity in the room.
- 3 Depending on the suspension type, place the fireplace on a floor, against a wall or on a ceiling with sufficient load-bearing capacity.
- 4 Take any flammable chimney beams above the fireplace into account. Remove these or install sufficient non-combustible insulation material according to Eurofire class A1 EN 13501-1 in accordance with the building guidelines.
- 5 If you encounter other flammable materials, apply sufficient non-flammable insulation material according to Eurofire class A1 EN 13501-1 in accordance with the building guidelines.
- 6 When installing a free-standing appliance, consider the minimum required space from the appliance to a non-combustible wall. This distance is 50 mm.
- 7 Use stove pipe material that meets at least EN 1856-2 T600.
- 8 When installing the fireplace and/or stove pipes, take account of the minimum distance to flammable objects and materials (see page 8, paragraph 4.3 *Distance to flammable materials*  and page 15, chapter 12 *Nameplate*).
- 9 In case of a flammable floor, install a protective floor plate.
- 10 Do not cover or wrap a free-standing fireplace with an insulating blanket or any other material.
- 11 Connect the appliance to a suitable flue gas duct.
- 12 Have the flue gas duct inspected and cleaned in advance by a certified chimney sweeping company.
- 13 Do not modify the appliance yourself.
- 14 Use only genuine parts for replacement.
- 15 Ensure adequate ventilation in the installation area, and install an additional air supply opening as necessary.
- 16 Do not allow negative pressure to be created in the installation space. If applicable, connect the outside air connection and use it to obtain combustion air directly from outside the home.

3.3 Safety instructions for operation

Essential precautions:

- 1 Do not place flammable objects on the appliance.
- 2 Do not leave the appliance unattended while the fuel is burning.
- 3 Do not place flammable objects within 120 cm of the front of the appliance.
- 4 Do not place flammable objects within 70 cm of the side of the appliance.
- 5 If applicable, ensure the distance between the top of the log storage module and the logs stacked in the storage module is at least 10 cm. Make sure the stored logs do not touch the top of the log storage module.
- 6 Do not use mineral fuel (e.g. coal, anthracite).
- 7 Do not use liquid fuels.
- 8 Do not use the appliance with the door open. Smoke can escape from the appliance. Open the appliance door only for a short period of time in order to add fuel or to remove ash.
- 9 Supervise children if they have access to the appliance.
- 10 Ensure adequate ventilation in the room in which the appliance is installed.
- 11 Do not use the appliance if the glass panel is visibly damaged.
- 12 Do not use the appliance if the door seal is damaged.
- 13 Verify the appliance is installed correctly. See the Installation and Maintenance Manual.
- 14 Wear the glove and use the control hook or a lever when refilling the appliance.
- 15 Make sure your clothing does not come into contact with the appliance. Synthetic clothing in particular ignites quickly and burns violently.
- 16 Do not use the appliance in fog, mist or when there is no wind.
- 17 Do not make any adjustments on the appliance. Any modification will void the warranty.

Safety guidelines:

- 18 Have the appliance, chimney and external combustion air supply inspected and cleaned by a certified installer at least once a year. To prevent a chimney fire.
- 19 Do not use freshly chopped wood.
- 20 Do not use more wood per load than specified. See paragraph 2.2 for the recommended amount of fuel.
- 21 Do not burn waste in the appliance.
- 22 Do not prepare food in the appliance. This will cause damage to the appliance and the chimney.

Comment:

- 23 Do not use the appliance continuously. The appliance is intended for intermittent use.

⚠ WARNING

- 1 Flue gases from blocked smoke vents are dangerous. Make sure the smoke vents remain free of blockages. Have the flues swept regularly in accordance with the recommended instructions to ensure safe and efficient operation of the appliance and to remove deposits that may damage the appliance. It is also bad for the environment.
- 2 When using the appliance for the first time, ensure there is adequate ventilation in the room in which the appliance is installed.
- 3 Do not use the appliance in fog, mist or when there is no wind.

🔥 NOTE

The appliance has a heat-resistant coating. When you first use the appliance, the coating may produce an unpleasant but not harmful odour.

3.4 Environmental safety instructions

- 1 Dispose of packaging materials in an environmentally friendly manner.
- 2 Dispose of ceramic heat-resistant glass via regular waste. Do not dispose of the ceramic heat-resistant glass with normal glass.
- 3 Dispose of the appliance in accordance with the instructions of the authorities or the installer.
- 4 Follow local regulations.

4 INSTALLATION OF THE APPLIANCE

4.1 Converting the top connection to a rear connection of the flue gas duct

As standard, the appliance comes with a top connection, but this can be converted easily into a rear connection.

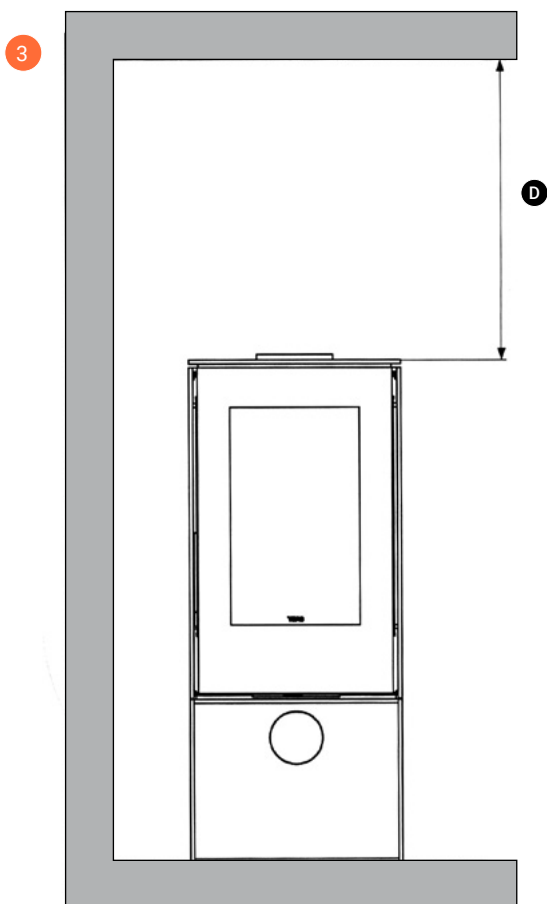
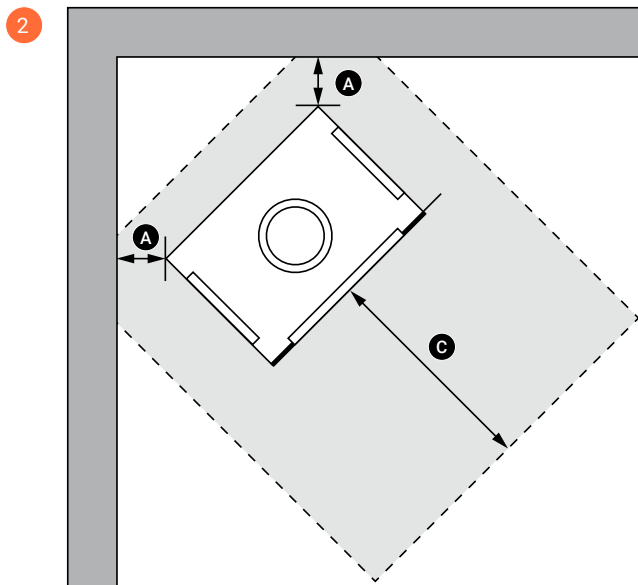
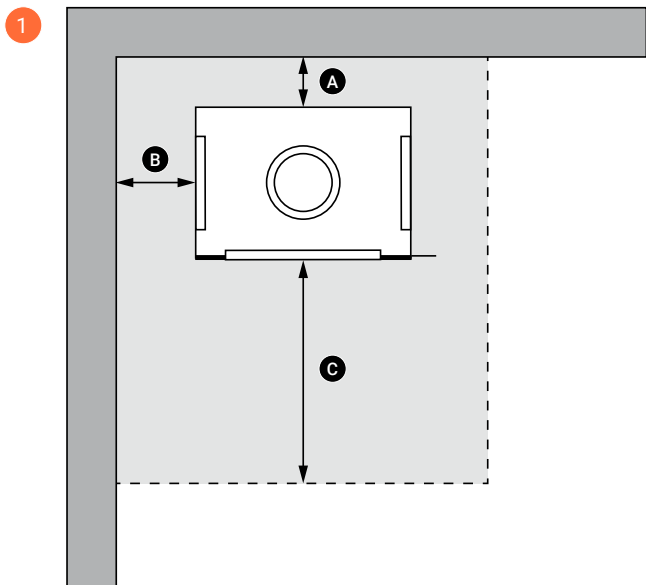
- 1 Remove the round back plate from the casing (break it out by moving it back and forth)
- 2 Very carefully remove the baffle plate in the appliance
APPENDIX 3 1.
- 3 Remove the efficiency plate at the top connection
APPENDIX 3 2.
- 4 Remove the cover plate from the opening on the back of the appliance from the inside of the appliance.
- 5 Remove the flue connector from the top of the appliance and place it on the connection opening at the back of the appliance. Make sure there is a good gas-tight seal.
- 6 Fit the efficiency plate at the location of the rear connection with the opening facing upwards.
- 7 Slide the efficiency plate downwards in the most open position; you can adjust the draft in the appliance as needed later by adjusting the plate. The latter also applies to a top connection.
- 8 Now fit the cover plate that was removed from the rear connection to the duct opening on top of the appliance, making sure there is a good gas-tight seal.

- 9 Carefully replace the baffle plate in the reverse order it was removed, and ensure that all the interior vermiculite panels are free of any tension.
- 10 Place the extra seal cover at the top of the recess in the casing.


4.2 Installing the appliance

- 1 Ensure the floor has sufficient weight bearing capacity for the appliance.
- 2 Make sure all the combustion air supply openings are clear.
- 3 See paragraph 4.3 *Distance to combustible materials* 1 2 3 4 for the minimum distance to combustible materials. The flue gas duct on the appliance must be insulated.
- 4 Make sure the right type of fire extinguishers are on hand in the event of an emergency.
- 5 Place the appliance in the correct position.
- 6 Connect the discharge duct gas-tight.
- 7 Connect the direct external air supply to the external air connection under the appliance using non-combustible discharge material with a diameter of minimal 80/100 mm.
APPENDIX 1 5 1 2 3

4.3 Distance from flammable materials



	Distance from flammable materials (mm)
A	100 *
B	700
C	1200
D	1000

*  The flue gas duct on the appliance must be insulated and CE-certified.

5 FLUE GAS DISCHARGE DUCTS

5.1 Instructions

The installation of a fireplace or stove and flue gas exhaust must be carried out in accordance with current European National and Local regulations. Follow the instructions as they are written down in these installation instructions.

5.2 Requirements for flue gas exhaust ducts

A metal chimney flue must meet the requirements of:

- 1 EN 1856-1 Chimneys
- 2 EN 1856-2 Metallic linings and connecting pipes

A chimney built on site must meet the requirements of:

- 1 EN 15287-1 Chimneys for open heating appliances
- 2 EN 15287-2 Chimneys for closed heating appliances

The operation of the chimney can be demonstrated according to EN 13384-2.

NOTE

Extractor fans can cause problems if they are operating in the same room or area as the appliance. One solution for this could be the use of an external combustion air supply.

The following specifications are applicable to the flue gas duct:

- 1 The flue gas duct must be inspected and swept in advance by a specialist at the beginning of each heating season.
- 2 The flue gas duct must be suitable for connecting a wood-fired appliance.
 - For the connection material (stove pipe) on the appliance, use a material that complies with at least EN 1856-2 T600 class.
 - When installing a stainless steel flexible pipe, always use the double-walled stainless steel version with a "smooth" interior.
- 3 The appliance must be connected to a single, undivided flue gas duct.
- 4 The flue gas duct must be clean.
- 5 The flue gas duct must be gas-tight.
- 6 The offset in the flue gas duct must not exceed 1.5 metres, with a minimum angle of 45 degrees from the horizontal plane.
- 7 For a rear connection to the appliance, the horizontal part of the flue gas duct must not exceed 500 mm. It must then go vertically upwards.
- 8 When connecting the rear connection of the appliance to a vertical flue gas duct, a T-piece with soot bag must be used.
- 9 The diameter of the flue gas duct must be at least equal to the diameter of the flue gas discharge of the appliance.
- 10 The draft of the flue gas duct must be at least 12 Pascal.
- 11 A flue gas damper must be fitted in the event of the draft being too strong.

If necessary, install a flue gas fan if there is insufficient draught or negative pressure is created in the installation space due to mechanical ventilation in the home; this can solve the negative pressure problem you may be experiencing.

- 12 Stove pipes must be installed with discharge towards the appliance.
- 13 To limit rust formation and damage to the interior lining of the appliance due to moisture, a rain cap/draft cap must be placed on top of the flue gas duct.
- 14 The flue gas duct must be self-supporting and must not rest on the appliance.

WARNING

For proper installation of the flue gas discharge, follow the installation instructions of the flue gas discharge manufacturer.

LEWO.bv
ROOKGASAFVOER SYSTEMEN



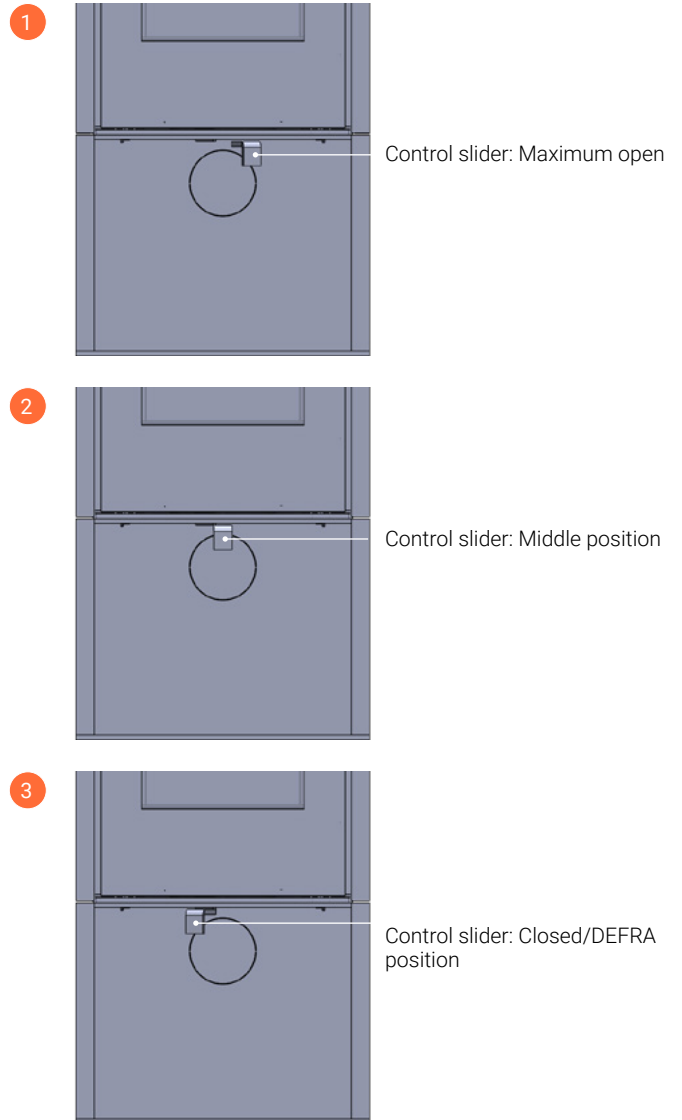
6 OPERATING INSTRUCTIONS

Light the appliance using the Swiss method. This method requires the appliance to be lit from top to bottom. This ensures complete, clean and responsible combustion with minimal emission of dust and smoke. Check and clean the flue gas duct thoroughly before using the wood burning appliance after a long period of it not being used. Remove any obstructions, such as bird nests, leaves, soot build-up, or other materials that may interfere with airflow and affect safe operation. Proceed as follows:

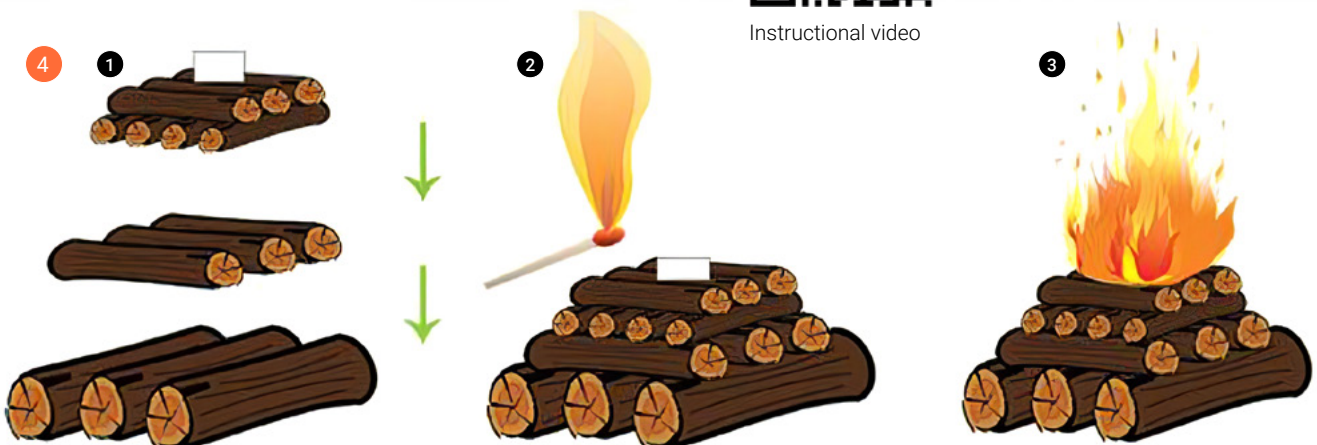
- 1 If a throttle valve is fitted in the flue gas discharge, open it fully.
- 2 Move the air control slider to the maximum open position, which is fully to the right. ❶
- 3 Stack the kindling crosswise at a small distance from each other, from thick to thin. Stack some kindling wood crosswise on top of this. Place the firelighter at the very top. ❷ ❸
- 4 Then light the firelighter so the fire burns from top to bottom ❹. The wood heats up slowly, which means it will burn longer and the fire will be more controlled. ❺
- 5 Close the door in the ajar position APPENDIX 2 ❻.
- 6 The fire will slowly draw down and ignite the large logs at the bottom of the pile.
- 7 The door can be fully closed APPENDIX 2 ❼ and the control slide can be partially closed, for example at the middle position ❽

⚠ WARNING

- 1 Keep the appliance door closed at all times unless lighting the fire, adding fuel, or removing cold ashes. This prevents smoke leakage and ensures optimum combustion efficiency and safety.
- 2 The appliance can reach very high temperatures. Use the supplied cold handle to operate the air slides and open/close the door.



Instructional video



- 8 Place 2 split logs lengthwise from front to back a few centimetres apart in your appliance. 2 blocks of 0.7 kg (1.4 kg of base filling), each 19 cm long.
- 9 Close the appliance door completely again. APPENDIX 2 1
- 10 The combustion speed can be regulated with the control slide under the door, moving it to the left results in a reduced air supply.
- 11 If the air control slide is in the middle 2 the appliance burns at its nominal combustion.
- 12 Fill the appliance regularly and as needed, but no more than the prescribed load, see technical data.
- 13 Never load with solid and/or liquid fuels other than dry wood.
- 14 If the ash bed becomes excessive over time (primary air openings in the front and back of the appliance are blocked), scoop out the ash.
- 15 If the draft in the appliance/chimney is too high, the draft in the appliance can be tempered by moving the efficiency plate APPENDIX 3 2 closer. To do this, remove the baffle plate APPENDIX 3 1 by lifting it slightly at the front 1, tilting the plate 2 and first removing it from the appliance using the underside of the plate 2 3. The efficiency plate can then be adjusted by loosening the nuts. 4 5
- 16 If the draft is still too high when the efficiency plate is in the maximum closed position, a flue gas damper must be installed in the discharge pipe. If your appliance becomes overloaded and threatens to overheat as a result, the air supply must be closed completely. In this case, never open the door of your appliance (especially in the event of a chimney fire).

NOTE

- 1 Ensure a minimum gap of 100 mm remains below the control valve to ensure good air supply and to prevent disruption of air circulation.
- 2 Provide adequate ventilation to ensure efficient and clean combustion and to prevent smoke and harmful gases from entering the room.

WARNING

Treat the heat-resistant interior with care

There are vermiculite plates inside the appliance. These insulation plates ensure the temperature in the appliance remains high. The durability of the plates depends on how you stock the fire. Wet wood, for example, will cause the panel to become porous more quickly. The plate may then break if you hit it. If the plates crack after a number of uses, you can safely continue using the appliance as this has no adverse consequences for the combustion. However, if the plates swell and/or fall apart due to moisture ingress, the plates must be replaced. The plates are easy to replace. Please inform your dealer of the type of appliance and the dimensions if you want to buy a new plate.

7 MAINTENANCE

A well-maintained and clean appliance ensures optimal combustion, which will subsequently contribute to better heat output, a cleaner burning fire, reduced smoke and soot formation, and a longer lifespan of the appliance.

Cleaning

1 Paint

Clean your appliance with a soft, dry cloth. Do not use water, because the heat-resistant paint is not water-repellent. Also, do not place objects on the appliance.

2 Cleaning

Although the appliance has a glass panel aeration system, deposits may still form on the glass. These deposits can be removed with a suitable glass cleaner, which you can leave on the glass for a period to take effect if desired. Never clean the glass panel with an abrasive agent and/or abrasive sponge. These agents will scratch the paint.

3 Seals

The seals must be replaced when they become worn or damaged for optimum efficiency.

4 Side glass panels

To access the side glass panels, remove the side panels. See [APPENDIX 4](#) Step by step guide

WARNING

The baffle and efficiency plate must be removed when cleaning the flue. This will prevent soot accumulation. See [APPENDIX 3](#).

NOTE

- 1 The Heat Reflective glass is placed on the combustion chamber side when installing the double glazing of the side glass panels, with the coating on the outside. The second, uncoated glass is then placed on the inside of the side panel. The door has double heat-resistant glass.
- 2 The heat-resistant glass or ceramic glass can withstand very high temperatures. The heat-resistant glass has a Heat Reflective coating. This metal coating reflects some of the infra-red rays back into the combustion chamber. This increases the temperature of the combustion chamber, increasing combustion quality. The higher temperature of the glass also ensures any soot particles that come into contact with the glass will burn off, meaning the glass will stay cleaner for a longer period. The Heat Reflective coating therefore has some form of partial self-cleaning.

8 TROUBLESHOOTING

Problem	Possible cause	Possible solution
The fire burns badly	Damp wood	Use wood with a moisture content of no more than 20%
	Incorrect fuel	Only use the fuel allowed for the appliance
	Insufficient draught in the chimney (min. 12 Pa), e.g. due to negative pressure in the room	Follow the recommended lighting procedure, ensure adequate ventilation air in the room, and turn off all air-intake devices
	insufficient combustion air	Slide the air lever all the way to the right
	Foggy weather	Do not burn in foggy conditions
The fire is burning too hot	The chimney is drawing too much	Consult your chimney sweep if the restrictor box needs to be closed
	The air lever is all the way to the right	Move the air lever more to the left
	More fuel than recommended	Stick to the basic filling instructions
Smoke comes into the room during refilling	Refilled too early, or filled onto wood that has not caught fire yet	Only add wood once a nice glowing bed has formed in the combustion chamber
	The appliance will not have reached the right temperature if you load too early	Burn firewood to a basic glow and only add small logs
	Air-intake devices, such as an extractor hood, are switched on	Make sure air intake devices are switched off. And make sure there is sufficient air in the room
	The door was opened too quickly	Open the door slowly and carefully
Glass gets dirty	Too damp wood	Use wood with moisture content up to 20%
	Too much wood	Do not add more than 2 to 3 pieces of wood
	The combustion chamber is not hot enough	Move the air slide all the way to the right. Use the recommended amount of fuel
	The seal around the door is damaged	Contact the dealer
Chimney fire (can be recognised by a roaring sound in the chimney)	Inflammation of soot and tar deposits in the chimney	Set the air slide to the far left position
		Call the emergency number (112)
		Extinguish the combustion chamber with sand
		WARNING: NEVER EXTINGUISH WITH WATER
		Ventilate the house
		Have the chimney swept at least once a year by a certified chimney sweep

9 GUARANTEE

You have a 2-year manufacturer's guarantee. The vermiculite plates and glass are not included. Any parts can be obtained through your dealer, please state the model and serial number. Your purchase receipt is your proof of guarantee. The guarantee period starts on the day of installation







9.1 The guarantee does not cover parts that are designed to wear

- 1 Door and glass seals
- 2 Ceramic glass
- 3 Vermiculite




9.2 The guarantee will expire in the following cases

- 1 Damage caused by excess heat
- 2 Damage caused by external influences
- 3 Use of unsuitable fuel types
- 4 Failure to comply with statutory or recommended installation regulations
- 5 Independent changes to the appliance
- 6 No service or maintenance performed on the appliance

10 TECHNICAL SPECIFICATIONS AND PARAMETERS

Art. Nr. 201040007002		Product: WOODY LOFT 3S		DOP number DOP-TLF20103007-01	
Parameter	Explanation parameter			Data	Unit
P_{nom}	the nominal heat output or a range of outputs (dependent on fuel types), rounded to the nearest one decimal place			6,8	kW
η_{nom}	the appliance efficiency at nominal heat output, rounded to the nearest integer			76,3	%
η_s	the appliance seasonal space heating efficiency at nominal heat output, rounded to the nearest integer			67,3	%
EEl	the energy efficiency index, rounded to the nearest integer			101	-
(*) $CO_{nom}(13\% O_2)$	CO emission at 13 % oxygen content at nominal heat output, rounded to the nearest integer			834	mg/m3
(*) $NO_{nom}(13\% O_2)$	NOx emission at 13 % oxygen content at nominal heat output, rounded to the nearest integer			120	mg/m3
(*) $OGC_{nom}(13\% O_2)$	hydrocarbon emission at 13 % oxygen content at nominal heat output, rounded to the nearest integer			40	mg/m3
(*) $PM_{nom}(13\% O_2)$	particulate matter emission at 13 % oxygen content at nominal heat output, rounded to the nearest integer			30	mg/m3
d_{nom}	minimum flue draught at nominal heat output, rounded to the nearest integer			12	Pa
d_R	the minimum distances from the rear to combustible material, rounded to the nearest integer			100*	mm
d_S	the minimum distances from the sides to combustible material, rounded to the nearest integer			700	mm
d_C	the minimum distances from the top to combustible material in the ceiling, rounded to the nearest integer			1000	mm
d_P	the minimum distances from the front to combustible material, rounded to the nearest integer			1200	mm
d_F	the minimum distances from the front to combustible material in bottom front radiation area, rounded to the nearest integer			300	mm
d_L	the minimum distances from the front to combustible material in side front radiation area, rounded to the nearest integer			700	mm
d_B	the minimum distances below the bottom (not regarding feet) to combustible material, rounded to the nearest integer			na	mm
d_{non}	the minimum distances to non-combustible walls, rounded to the nearest integer			na	mm
s	Protective insulation according to manufacture r's instructions			na	mm
T_{snom}	the flue gas outlet temperature at nominal heat output, rounded to the nearest integer			278	°C
T_{class}	Chimney designation according to the appropriate chimney standard			T450/T600	-
$\phi_{f,g nom}$	the flue gas mass flow at nominal heat output, rounded to the nearest one decimal place			6,7	g/s
CON or INT	whether the appliance is capable of continuous operation (CON), whether the appliance is capable of intermittent operation (INT)			INT	Operation
d_{out}	the diameter of the flue gas outlet, rounded to the nearest integer			150	mm
L, H, W	the overall dimensions of the appliance (length, height, width), rounded to the nearest integer			L=414 H=1073 W=485	mm
m	Mass of the appliance, rounded to the nearest integer			180	kg
m_{chim}	the maximum load of a chimney the appliance may carry, to be rounded to the nearest integer			na	kg
	* meaning "read and follow the user operating instructions"				-
Manufacturer				Thermocet Internationals B.V. Netherlands	
Type of appliances	Room-Seated	Leakage declaration	Combustion air supply connection	Door closure	Tightness requirement
Type B	-	No	No specific requirement	No specific requirement	No specific requirement
	Fuel Wood				
	Conformité Européenne				
EN standard 1	Norm			EN 13240:2001 + A2:2004	
EN standard 6	Norm			(*) EN 16510-1:2022 (Noxnom,OGCnom,Pmnom (13% O2)	
				certificate nr 1	EZKA/2023-11/00014-1
				certificate nr 2	EZKA/2023-11/00014-2
				notified body number	SGS: 1639
				certification date	19-2-2024
				production year	2024
				Energy efficiency classificatio	A
				System 3	

11 IDENTIFICATION PLATE

Product: WOODY LOFT 3S		DOP-TLF20103007-01			
P_{nom}	6,8	kW	Type of appliances	Type B	
η_{nom}	76,3	%	 Always "read and follow the user operating instructions"		
η_s	67	%	FUEL 		
$\phi_{f,g nom}$	6,7	g/s	Operation INT		
p_{nom}	12	Pa	EEl 101		
$CO_{nom}(13\% O_2)$	834	mg/m3	the minimum distances from the rear to combustible material, rounded to the nearest integer		
$NO_{nom}(13\% O_2)$	120		d_R	100*	mm
$OGC_{nom}(13\% O_2)$	40		d_S	700	
$PM_{nom}(13\% O_2)$	30		d_C	1000	
m	180	kg	d_P	1100	
m_{chim}	na	kg	d_F	300	
L, H, W	L=414 H=1073 W=485	mm	d_L	700	
d_{out}	150	mm	d_B	na	
Manufacturer		Thermocet International B.V. Netherlands		2024	
				EN 13240:2001 + A2:2004	
				EN 16510-1:2022 (Noxnom,OGCnom,Pmnom (13% O2)	
				certificate nr 2 EZKA/2023-11/00014-1 EZKA/2023-11/00014-2	
				Serialnumber: 2	

12 INFORMATION ABOUT DISPOSING OF THE APPLIANCE

- 1 Dispose of a discarded or obsolete appliance according to the instructions of the government authorities or the installer.
- 2 The information in this paragraph is informative. Always follow national and local regulations for recycling and disposing of the appliance or parts of the appliance.
- 3 Before disassembling and disposing of the appliance, remove the ashes and unburned fuel from the appliance. Dispose of the ash as general waste. Do not dispose of ash as organic waste.

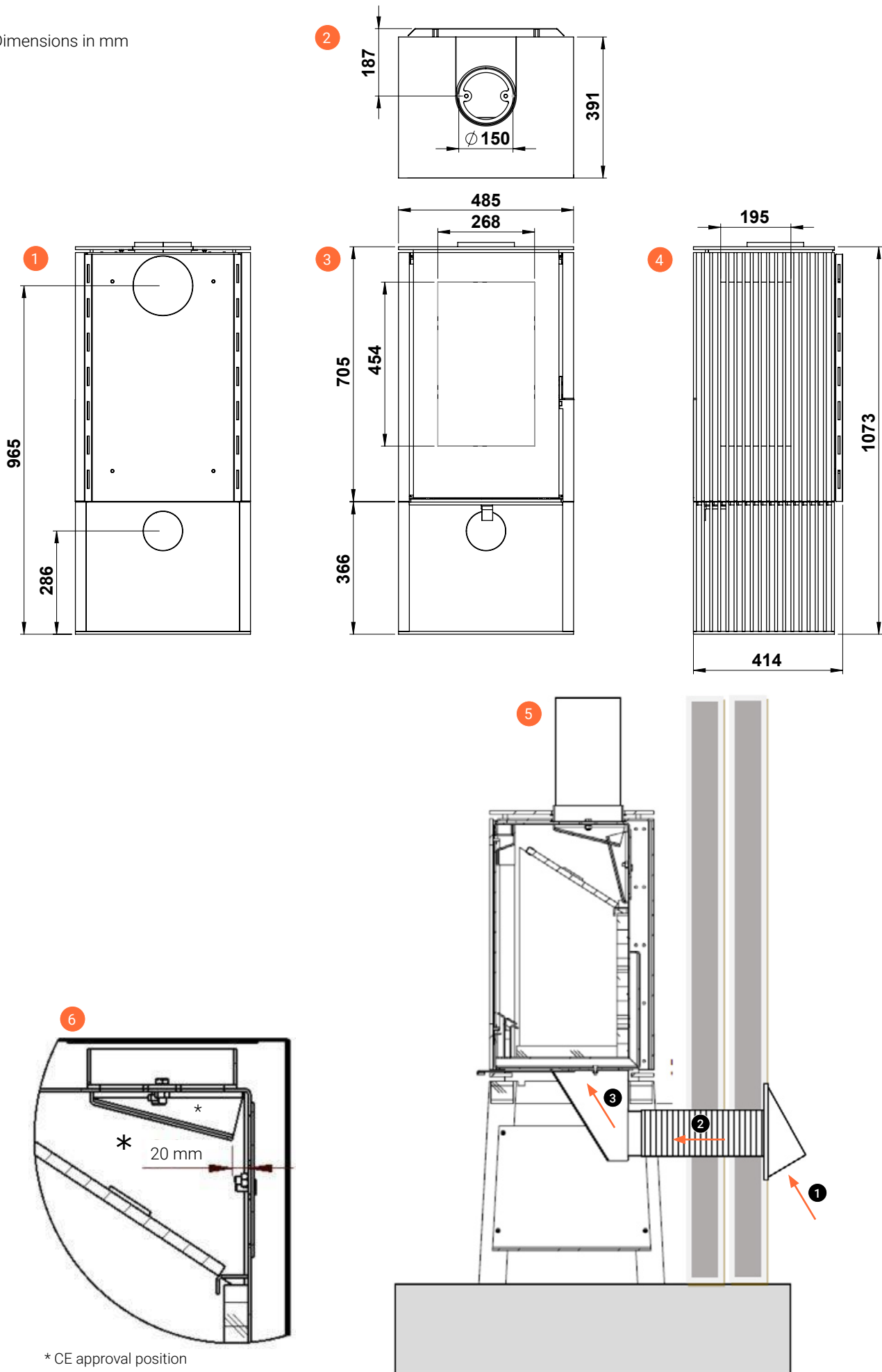
Appliance parts	Material	Recycling/disposal
Combustion chamber interior (see Appendix 5)	Vermiculite	Vermiculite that has been in contact with combustion gases cannot be reused or recycled. Dispose of as general waste
Combustion chamber	Steel	Discard as metal waste
Glass panel	Ceramic glass	Dispose of as general waste or ceramic waste. Do not dispose of as glass waste
Main part of the appliance	Steel	Discard as metal waste
Side walls and door	Steel	Discard as metal waste

12.1 Reuse

The appliance is packed in packaging material that can be reused. This must be disposed of in accordance with local and national regulations regarding waste disposal. The glass cannot be reused. Dispose of the glass as general waste or ceramic waste. Refractory glass has a higher melting temperature and therefore cannot be recycled. By ensuring refractory glass does not end up with recyclable glass, you make an important contribution to the environment.

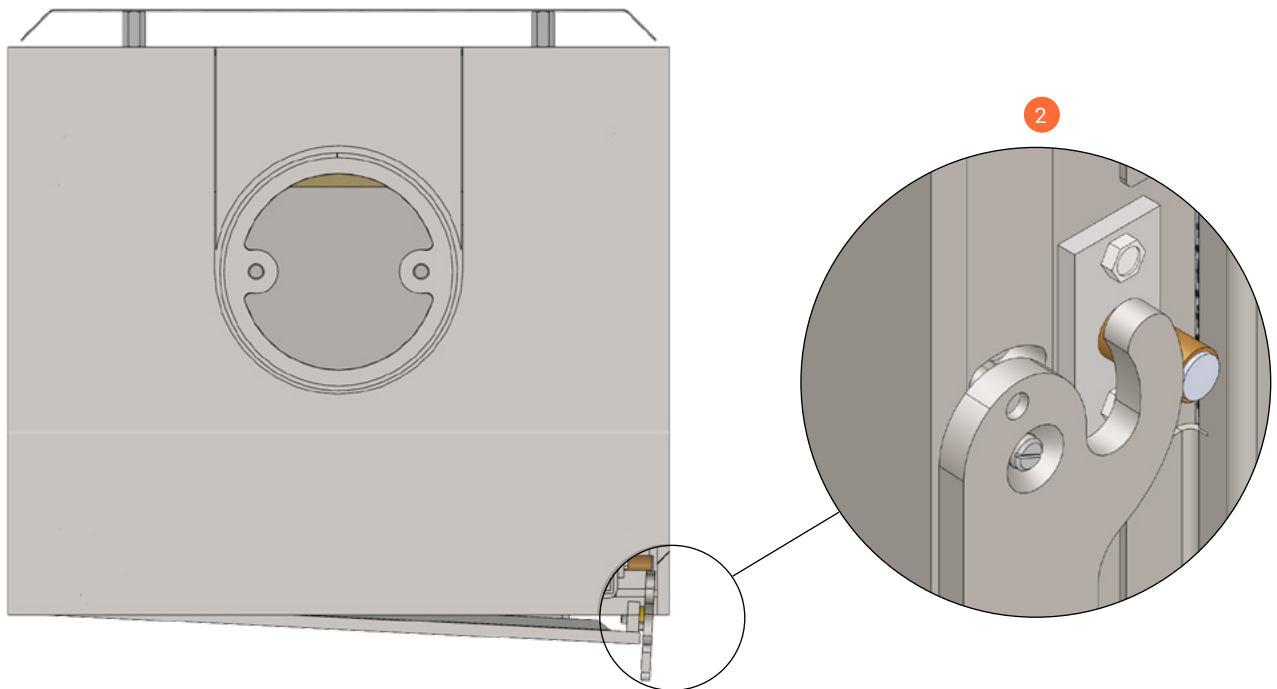
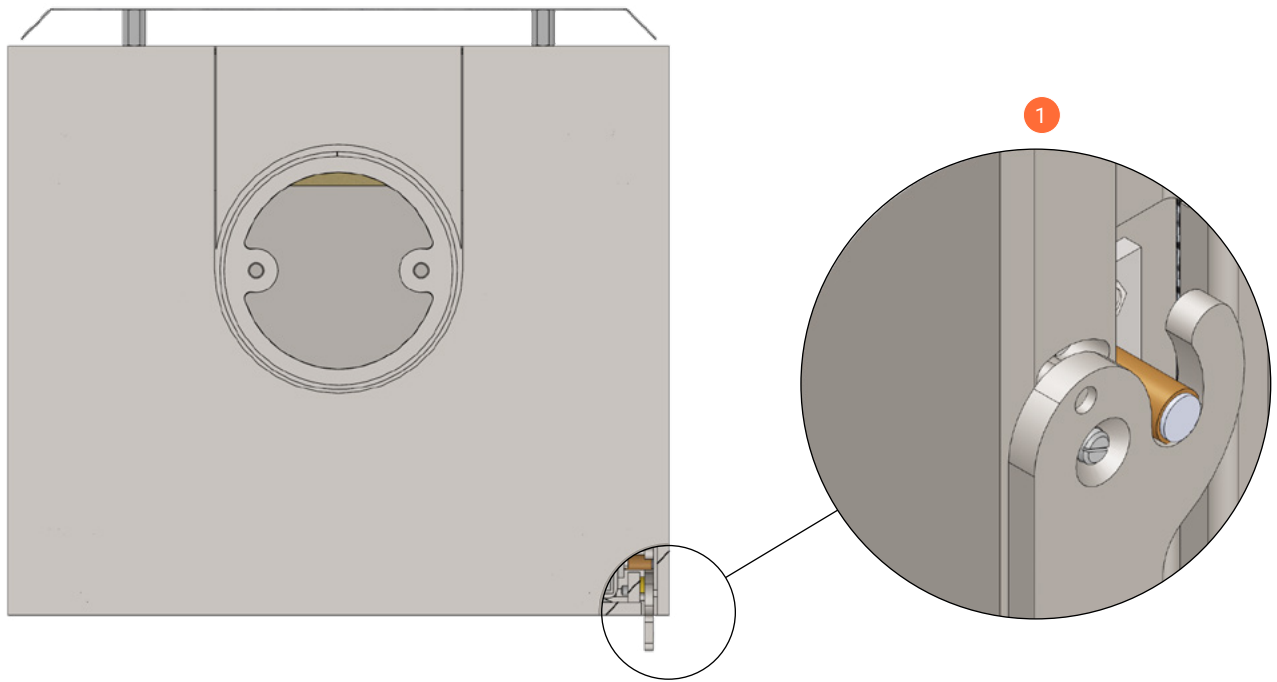
Appendix 1 DIMENSIONAL DRAWINGS

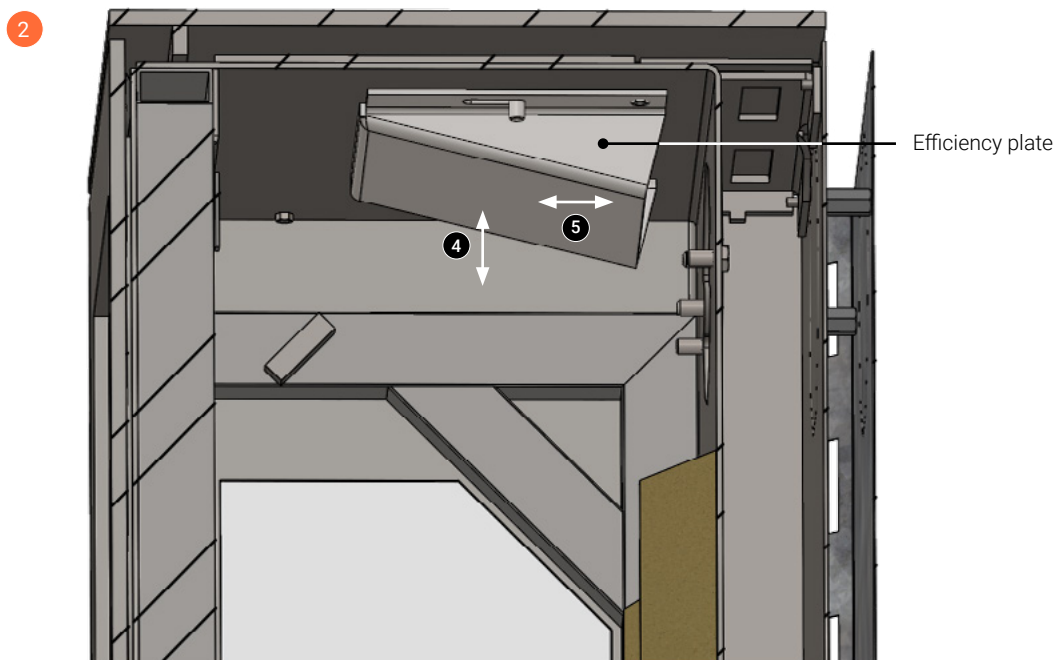
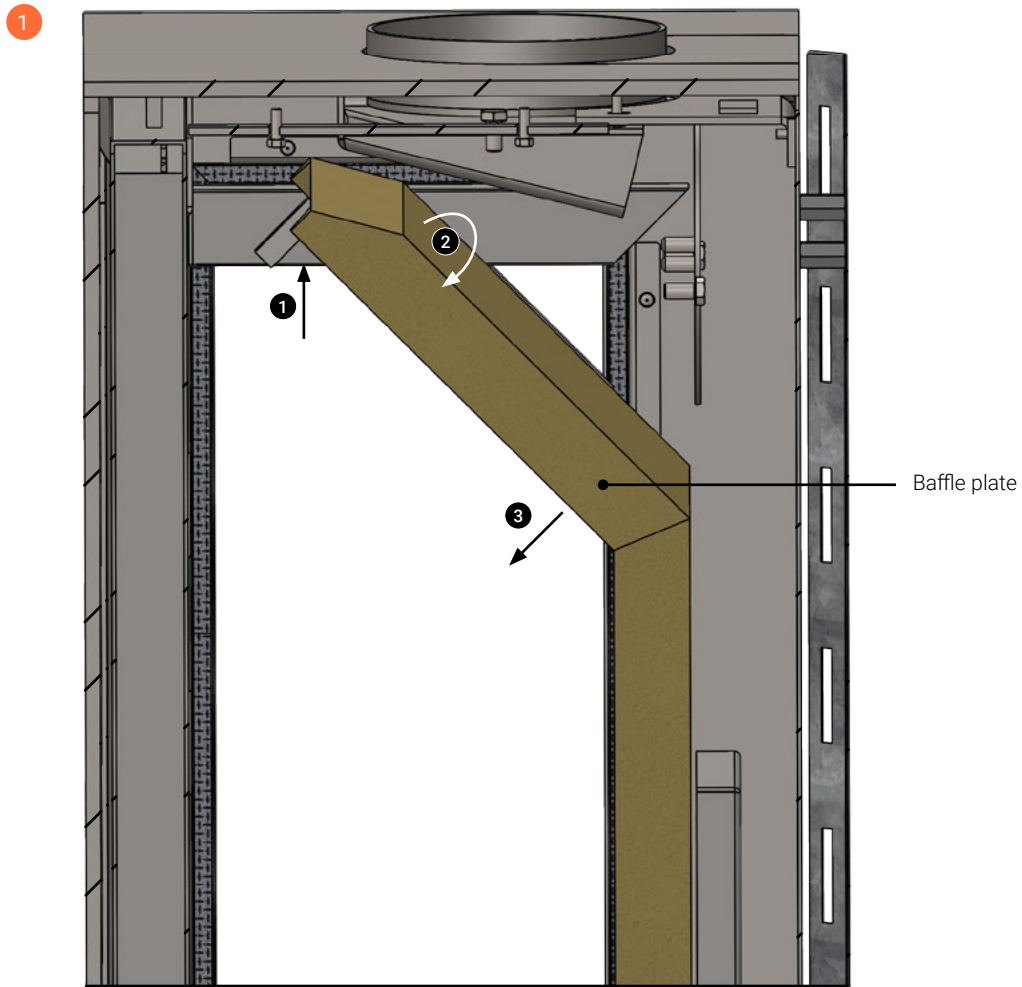
Dimensions in mm



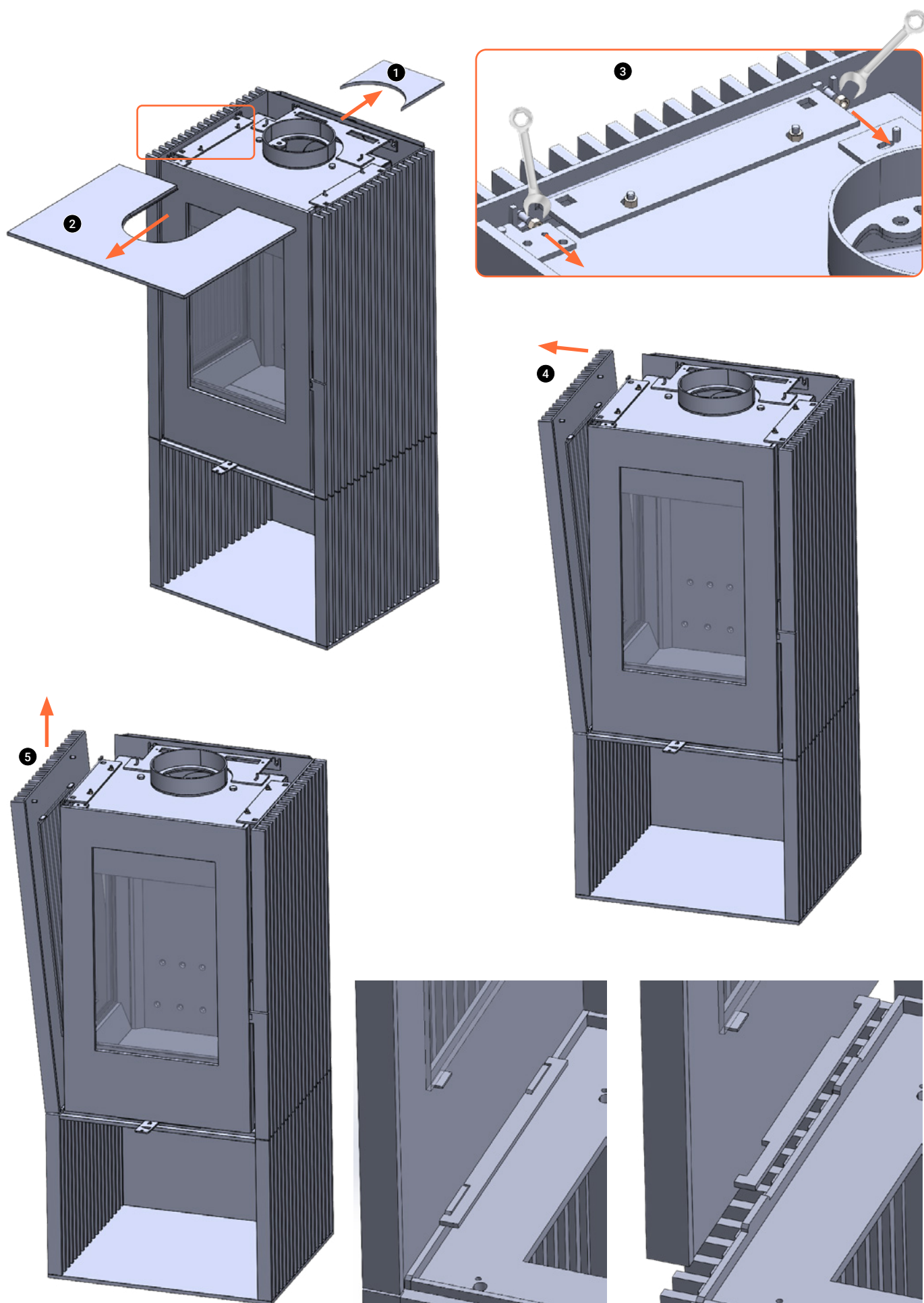
* CE approval position

Appendix 2 DOOR CLOSED AND AJAR

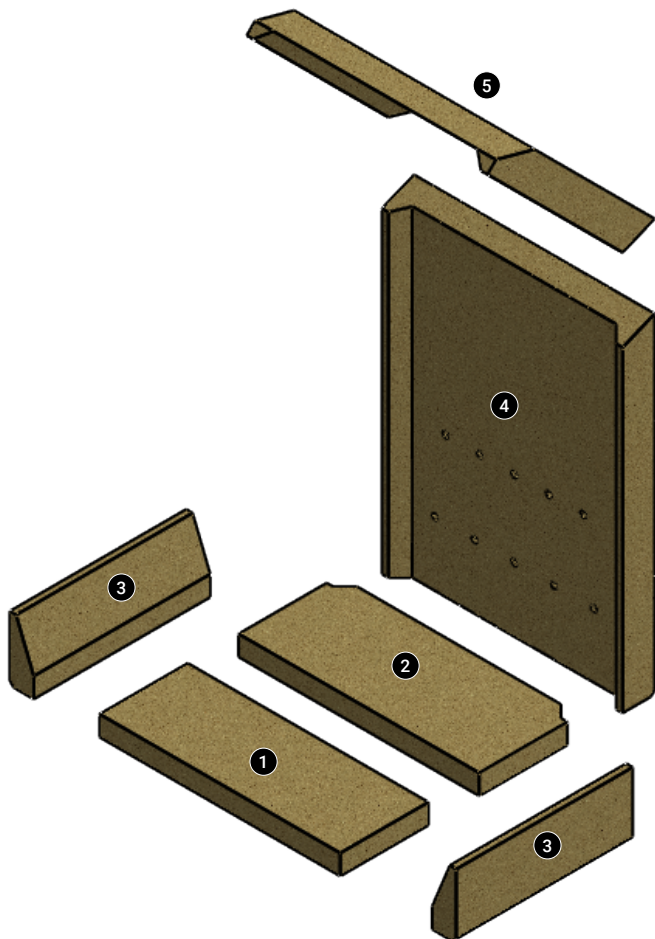
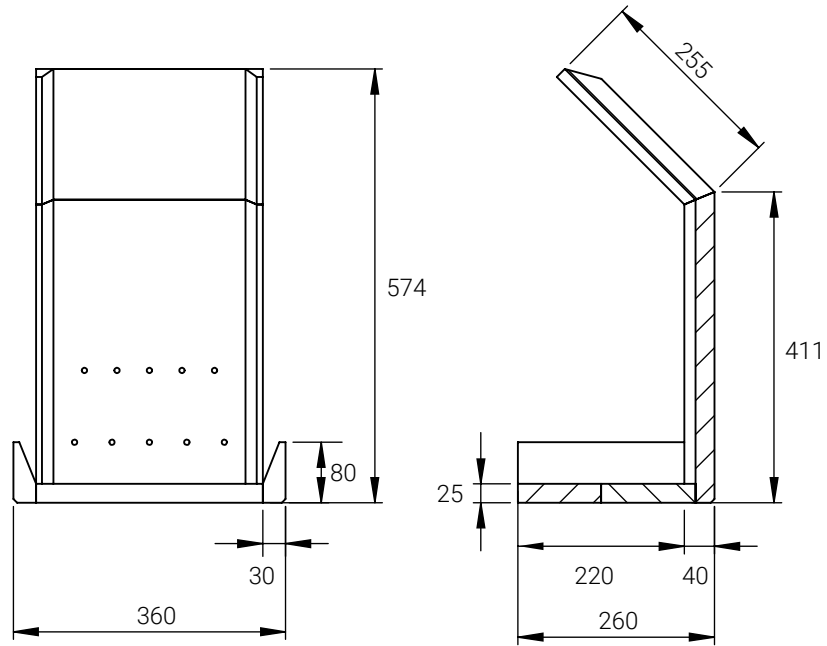




Appendix 4 REMOVING SIDE PANELS



Appendix 5 DIMENSIONAL DRAWINGS INTERIOR PLATES



Number	Description
1	Front base plate
2	Rear base plate
3	Side panel
4	Rear panel
5	Baffle plate

Appendix 6 INSTALLATION INFORMATION, SERVICE AND MAINTENANCE LOGBOOK


Installation information
Name
Address
Appliance serial number
Date of purchase
Comments

Service and maintenance logbook		
Service date	Performed by	Work activities performed

Appendix 7 DECLARATION OF PERFORMANCE

Declaration of performance

According to Regulation (EU) 305/2011

Unique identification code of the product-type:	WOODY LOFT 3S		 DOP-TLF20103007-01
Intended use of the construction product, in accordance with the harmonized technical specification	Solid fuel-fired space heating without hot water supply		
Contact address of the manufacturer	thermoCet International B.V. Laagerseweg 27 3931 PC Woudenberg Nederland		
The system(s) for the assessment and verification of the constancy of performance of the construction product listed in Annex V of Regulation (EU) 305/2011)	System 3		
Reference number and date of issue of the harmonized standard	SGS: 1639	19-2-2024	
Notified body assessment document	EZKA/2023-11/00014-1		
	EZKA/2023-11/00014-2		
Harmonized standard	EN 13240:2001 + A2:2004		
	EN 16510-1:2022 (Noxnom,OGCnom,Pmnom (13% O2))		

Declared performance

Product: Roomheaters for solid fuel
Intended use: Space heating in residential buildings

Essential characteristics	Clauses of this European Standard related to essential characteristics	Classes and/or threshold levels	Notes
---------------------------	--	---------------------------------	-------

Mechanical resistance and stability

Load bearing capacity	4.1	mchim	na	Given in kg
-----------------------	-----	-------	----	-------------

Safety in case of fire

Protection of combustible materials	4.2	dF	300	Minimum distance to combustible materials – floor in front (dF) in mm
		dC	1000	Minimum distance to combustible materials – ceiling (dC) in mm
		dR	100*	Minimum distance to combustible materials – rear (dR) in mm * see manual paragraph 4.3
		dS	700	Minimum distance to combustible materials – side (dS) in mm
		dL	700	Minimum distance to combustible materials – side radiation area (dL) in mm
		dp	1200	Minimum distance to adjacent combustible materials (e.g. furniture) dP in mm

Hygiene, health and the environment

At nominal heat output:				
Carbon monoxide emission(CO)	4.3	CO _{nom} (13 % O ₂)	834	mg/m ³
Nitrogen oxides (NOx) emissions	4.4	NO _{xnom} (13 % O ₂)	120	mg/m ³
Emission of organic gaseouscarbon (OGC)	4.5	OGC _{nom} (13 % O ₂)	40	mg/m ³
Particulate matter emissions(PM)	4.6	PM _{nom} (13 % O ₂)	30	mg/m ³

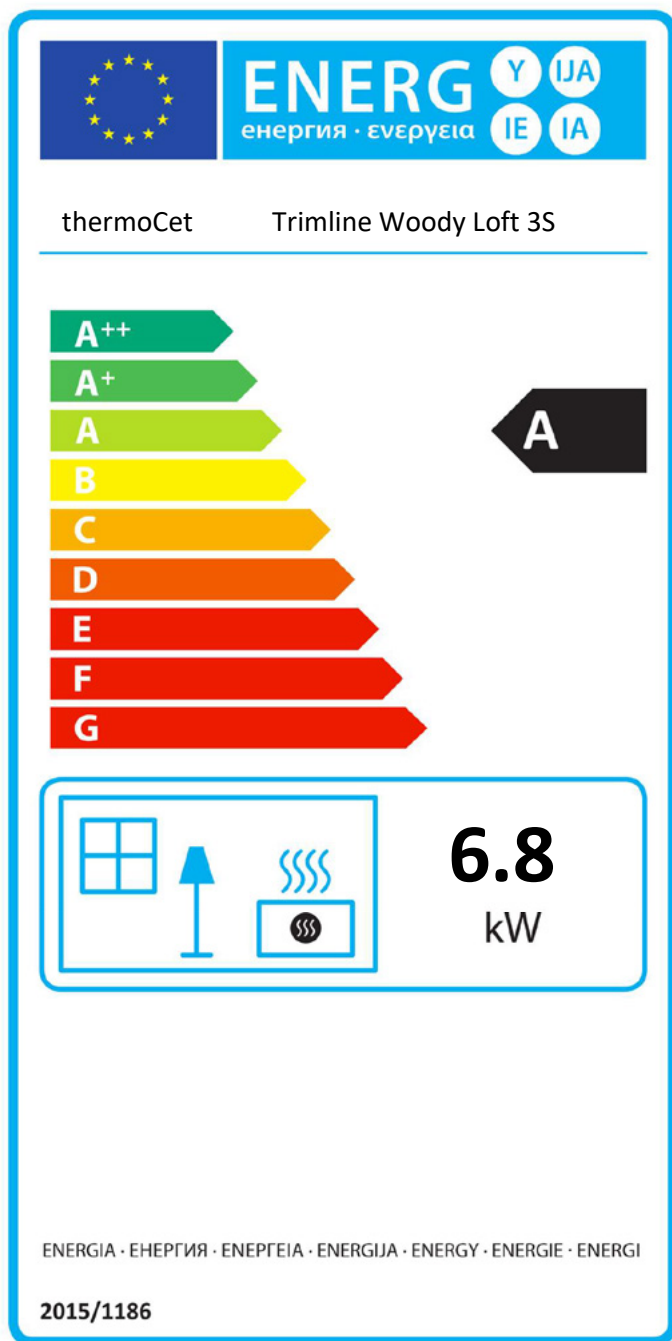
Safety and accessibility in use

Data for installation to a chimney at nominal heat output:				
Flue gas outlet temperature	4.7.2	T _{snom}	278	°C
Minimum flue draught	4.7.4	p _{nom}	12	Pa
Flue gas mass flow	4.7.6	φ _{f,g nom}	6,7	g/s
Data for installation to a chimney regarding fire safety on safety test heat output:				
Fire safety of installation to the chimney	4.7.8	T _{class}	T450/T600	
Energy economy and heat retention				
Appliance's thermal output and energy efficiency at nominal heat output:				
Space heat output	4.8.1	P _{nom}	6,8	kW
Efficiency	4.8.3	η _{nom}	76,3	%
Space heating efficiency				
Seasonal space heating efficiency at appliance's nominal heat output	4.8.7	η _S	67,3	%
Energy efficiency	4.8.8	EEL	101	Energy efficiency index
Energy efficiency classification determined according to 4.8.8, Table 7		Energy Class	A	Energy efficiency class
Sustainable use of natural resources				
Articles 36 to 38 of Regulation (EU) No 305/2011.			<input checked="" type="checkbox"/>	

The performance of the above product is in conformity with the declaration. For the issuance of the declaration of performance in accordance with Regulation (EU) No 305/2011, only the manufacturer mentioned above is responsible.

Signed on behalf of the manufacturer by:
 Tjaro Jilesen, CEO
 March 2024







Trimline product data sheet	Woody Loft 3S
Product data sheet in accordance with regulation according to (EU) 2015/1186	
The information on the product data sheet of the space heater appliance is provided in the order listed below and included in the product brochure or other written information supplied with the product.	

Manufacturer	thermoCet International B.V. Netherlands
Indication type	Woody Loft 3S
Energy efficiency class	A
Direct heat output	6.8
Indirect heat output	n/a
Energy Efficiency Index (EEI)	101
Useful efficiency at nominal heat output	76.3
Any specific precautions to be taken when assembling, installing or maintaining the space heater.	Fire safety measures such as safety distances: when installing, national standards, local codes and regulations. Read the installation and operating instructions
thermoCet International B.V. Laagerfseweg 27 3931 PC Woudenberg Netherlands	

